

# DGW500DM/RU

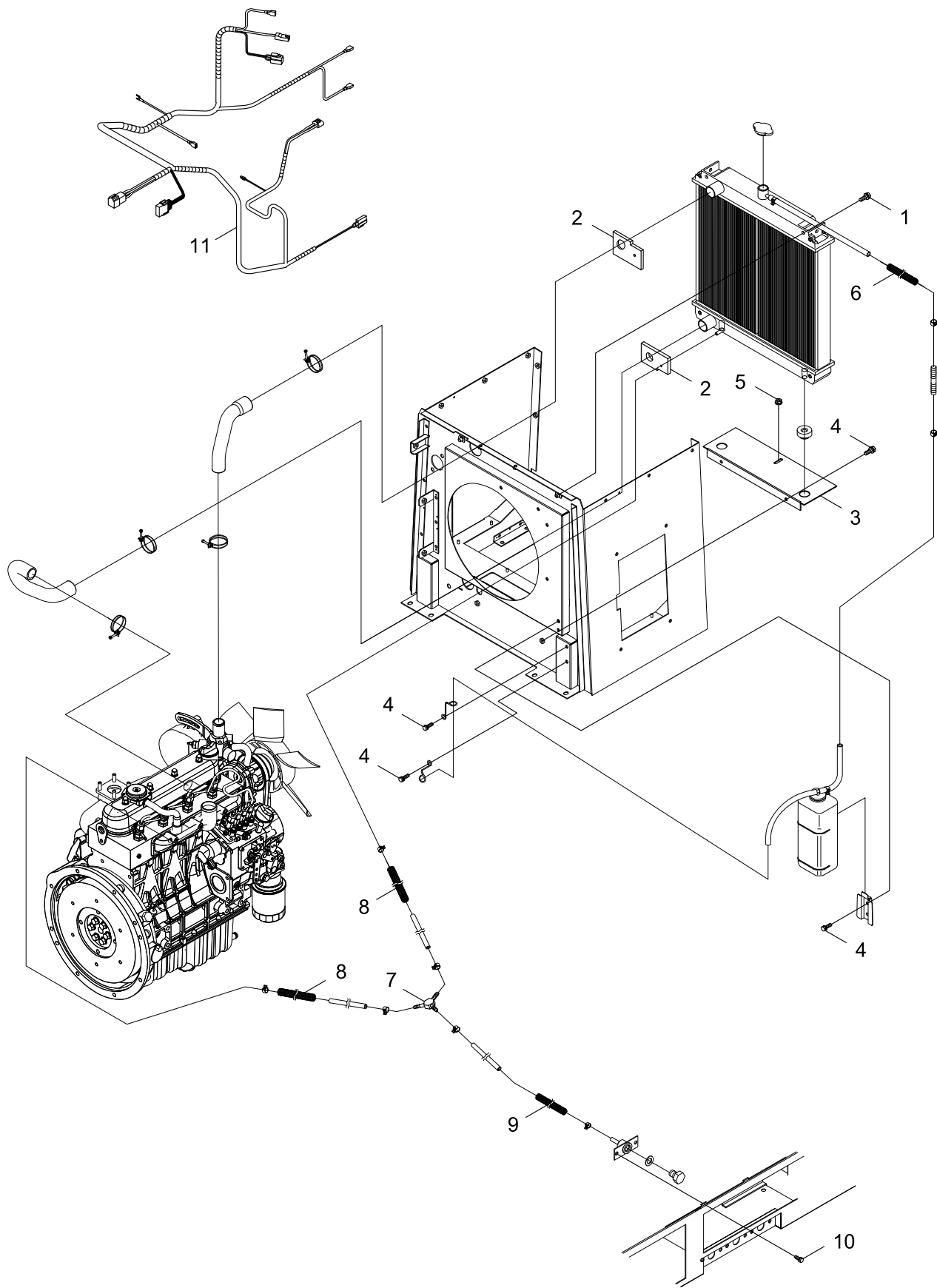
Published:11/24/2016

## TABLE OF CONTENTS

---

RADIATOR RELATED PARTS .....	1
MUFFLER .....	3
FUEL TANK .....	5
FUEL PIPE .....	7
COVER .....	9
FRONT PANEL .....	11
BASE, FRAME .....	13
DOOR.....	15
TOP COVER .....	17
MOTOR .....	19
ROTOR.....	21
CONTROL PANEL.....	23
ELECTRICAL EQUIPMENT, HARNESS.....	25
FIN.....	27
OUTPUT TERMINAL .....	29
LABEL.....	33

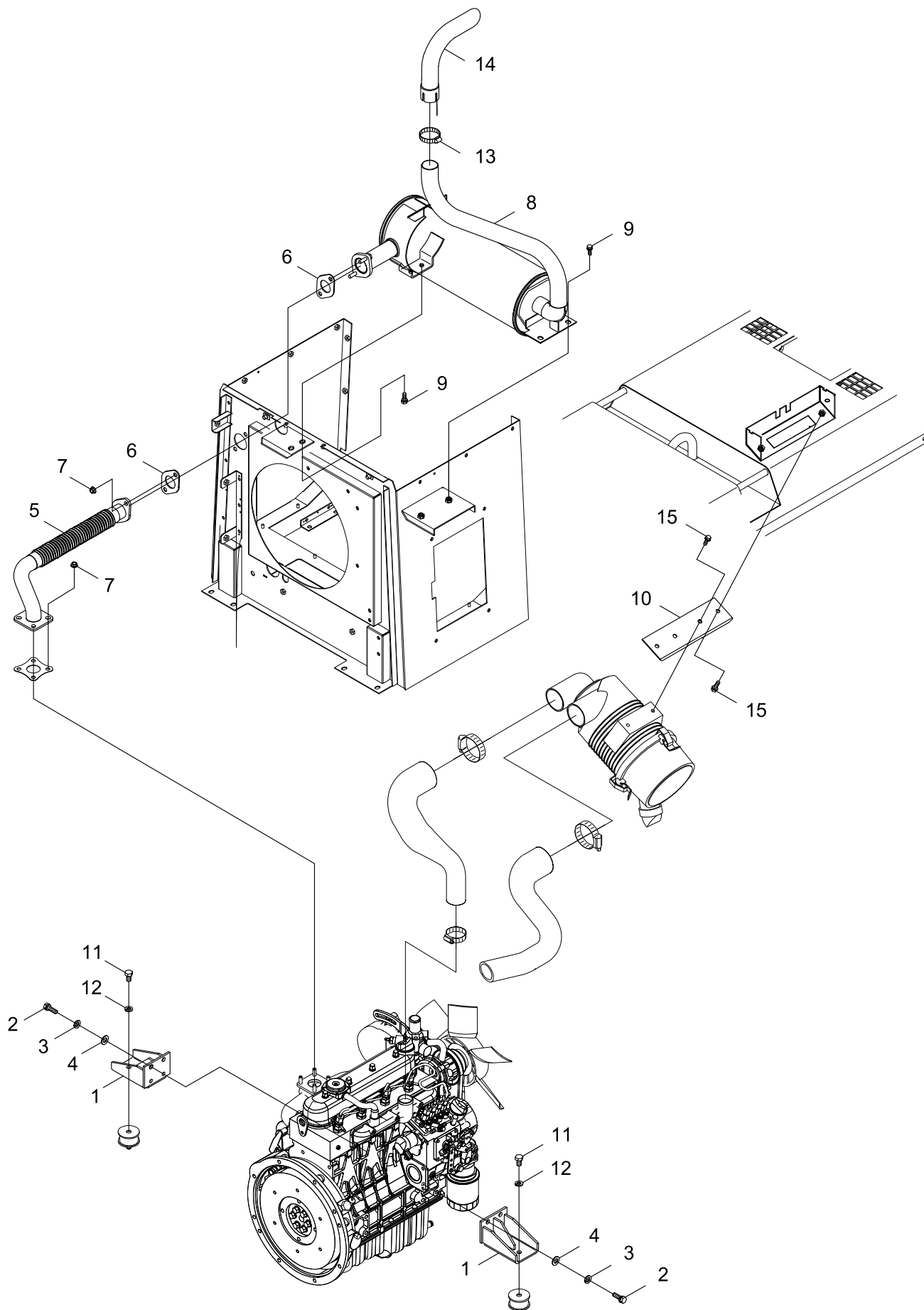
# RADIATOR RELATED PARTS



## RADIATOR RELATED PARTS

KEY NO	LV(+)	Part No	Description	Qty	Standard
1		900147-08030	BOLT, 8*30	2	8*30
2		V418-000040	SPONGE	2	
3		C519-003110	RADIATOR STAY	1	
4		V204-001600	BOLT,6	6	M6*16
5		V264-000220	FLANGE NUT	1	
6		V475-006130	TUBE	1	
7		M601-000170	JOINT	1	
8		V476-000270	TUBE	2	
9		V476-000290	TUBE	1	
10		V205-001120	BOLT,8	2	BM-8*20 W SW
11		G362-000270	WIRING HARNESS	1	

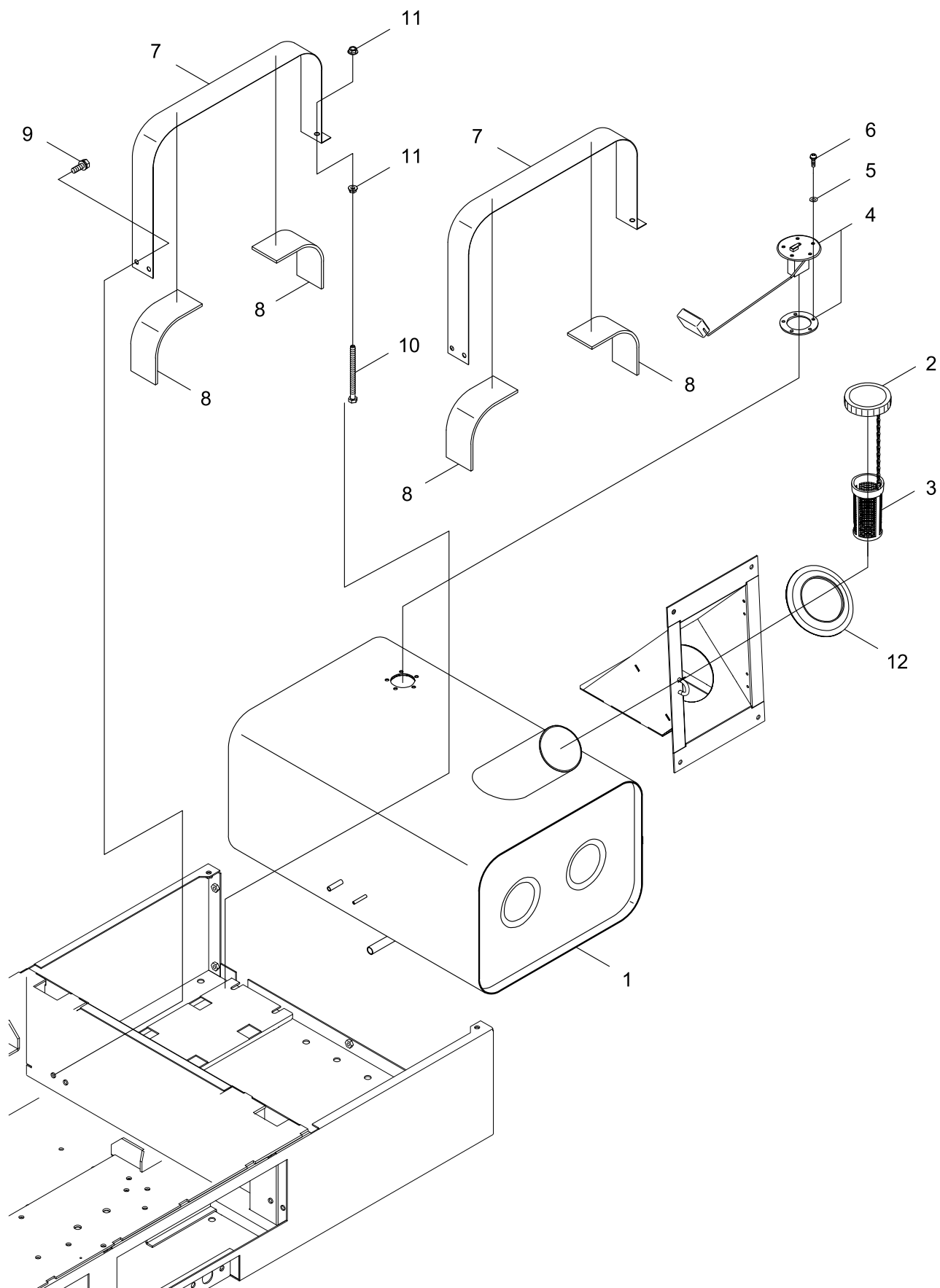
# MUFFLER



## MUFFLER

KEY NO	LV(+)	Part No	Description	Qty	Standard
1		G121-000430	STAY,ENGINE	2	
2		V206-000480	BOLT	8	
3		900605-00010	WASHER, SPRING 10	8	10
4		900617-00010	WASHER 10	8	10(10.5*18*2)
5		G231-000680	FLEXIBLE TUBE	1	
6		V104-001740	GASKET	2	
7		V265-000290	FLANGE NUT	6	
8		A300-001680	MUFFLER,EXHAUST	1	
9		V205-001170	BOLT,8	8	M8*20-SPW
10		G211-000300	STAY,CLEANER	1	
11		91000-12022	BOLT	2	
12		900605-00012	WASHER, SPRING 12	2	12
13		V495-002100	CLAMP	1	
14		G234-000060	TAIL PIPE	1	
15		V205-001170	BOLT,8	4	M8*20-SPW

# FUEL TANK

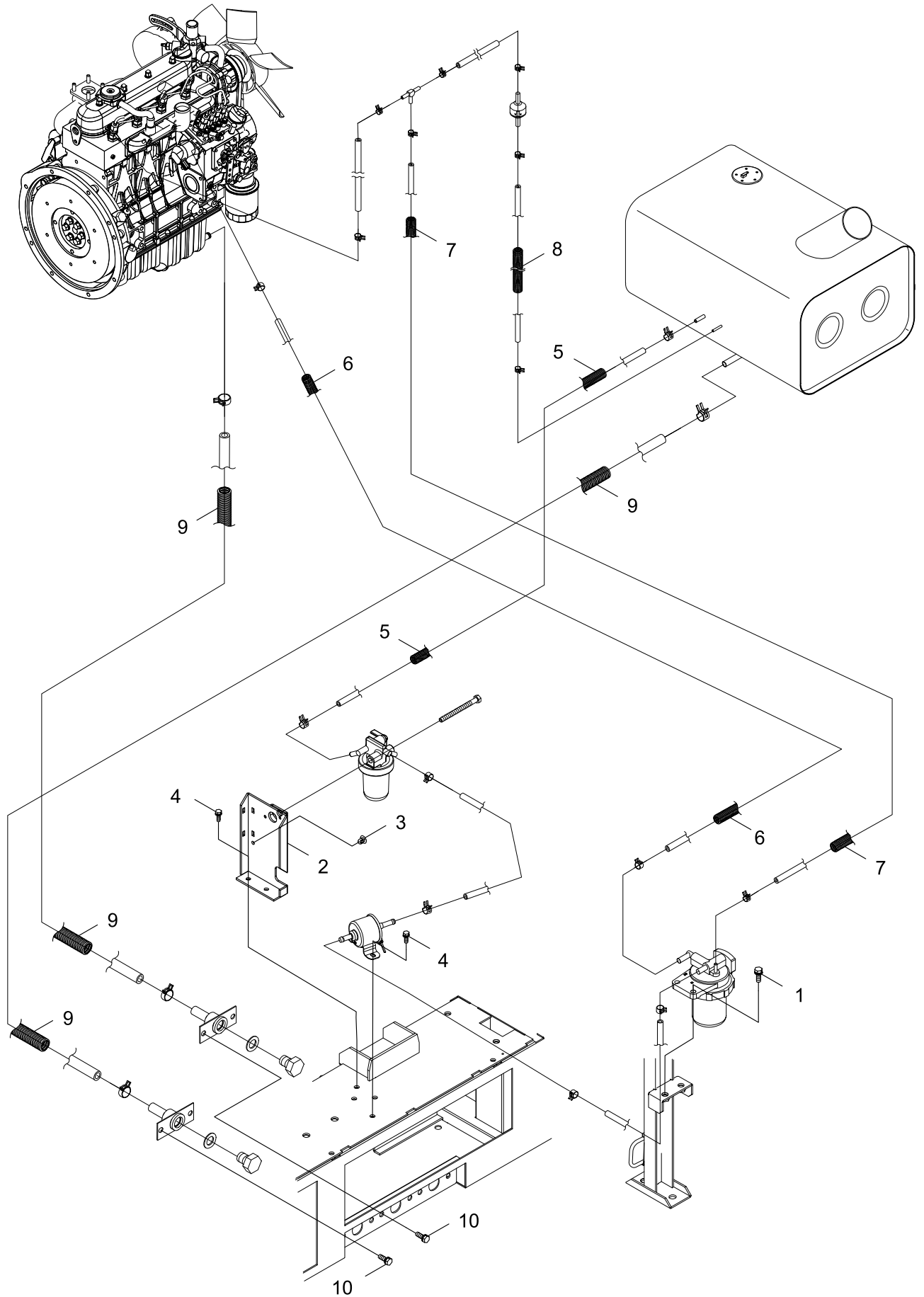


## FUEL TANK

KEY NO	LV(+)	Part No	Description	Qty	Standard
1		G250-000450	FUEL TANK	1	
2		E111-000110	TANK CAP	1	
3		K329-000040	STRAINER	1	
4		E325-000100	FUEL GUAGE	1	
5		V500-000020	SEAL WASHER	5	
6		91463-05012	SCREW TRUSS	5	
7		E121-000060	BAND,TANK	2	
8		V420-003030	PAD	4	
9		V204-001600	BOLT,6	4	M6*16
10		V205-000630	BOLT	2	
11		V265-000290	FLANGE NUT	4	
12		V145-000320	TANK BUSH	1	



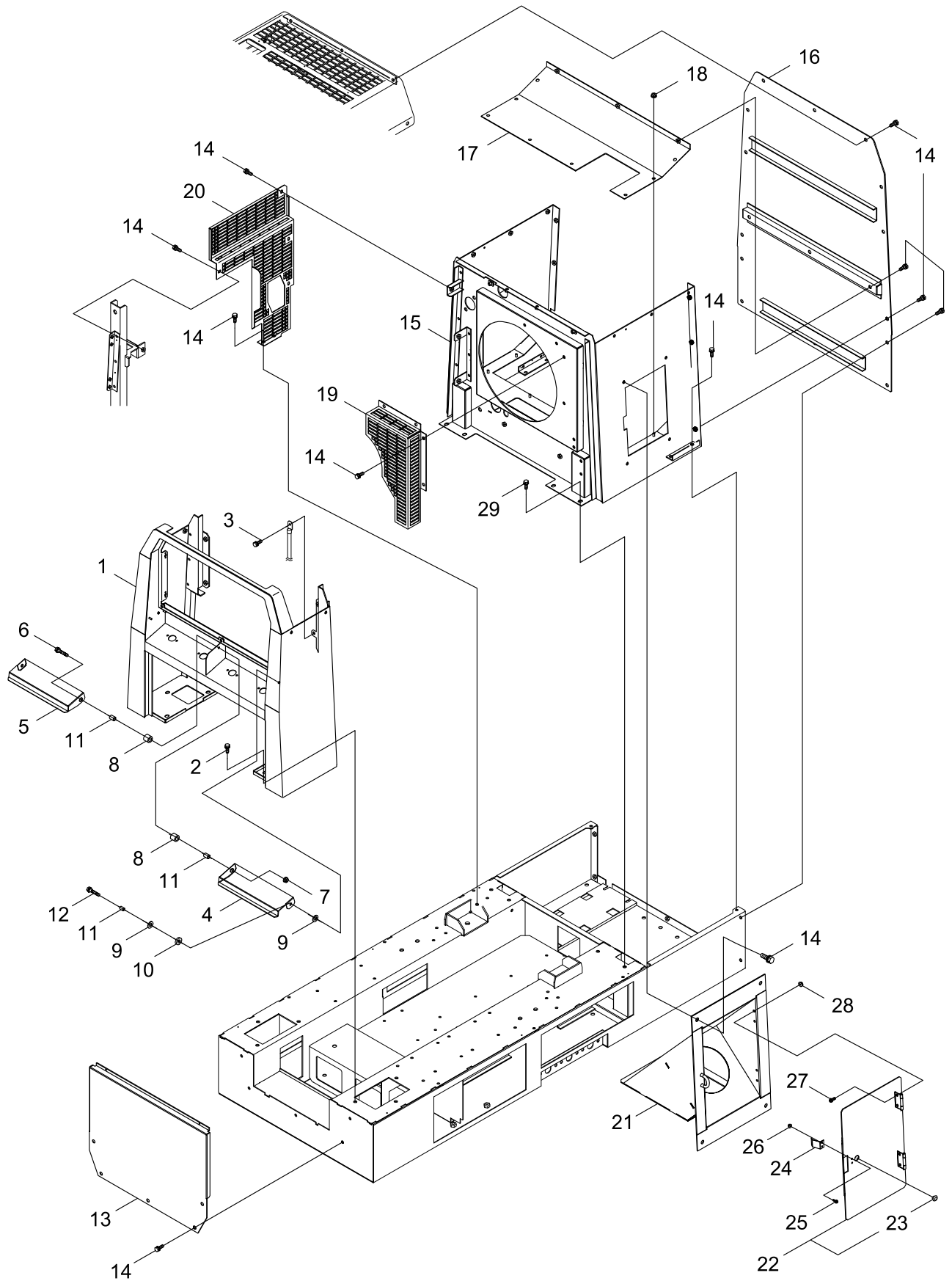
# FUEL PIPE



## FUEL PIPE

KEY NO	LV(+)	Part No	Description	Qty	Standard
1		900147-08025	BOLT, 8*25	2	8*25
2		E617-000080	BRACKET,FILTER	1	
3		M416-000030	BAND STOPPER	2	
4		V204-001600	BOLT,6	4	M6*16
5		V475-006230	TUBE	1	
6		V476-000270	TUBE	1	
7		V476-000210	TUBE	1	
8		V475-006240	TUBE	1	
9		V476-000280	TUBE	2	
10		V205-001120	BOLT,8	4	BM-8*20 W SW

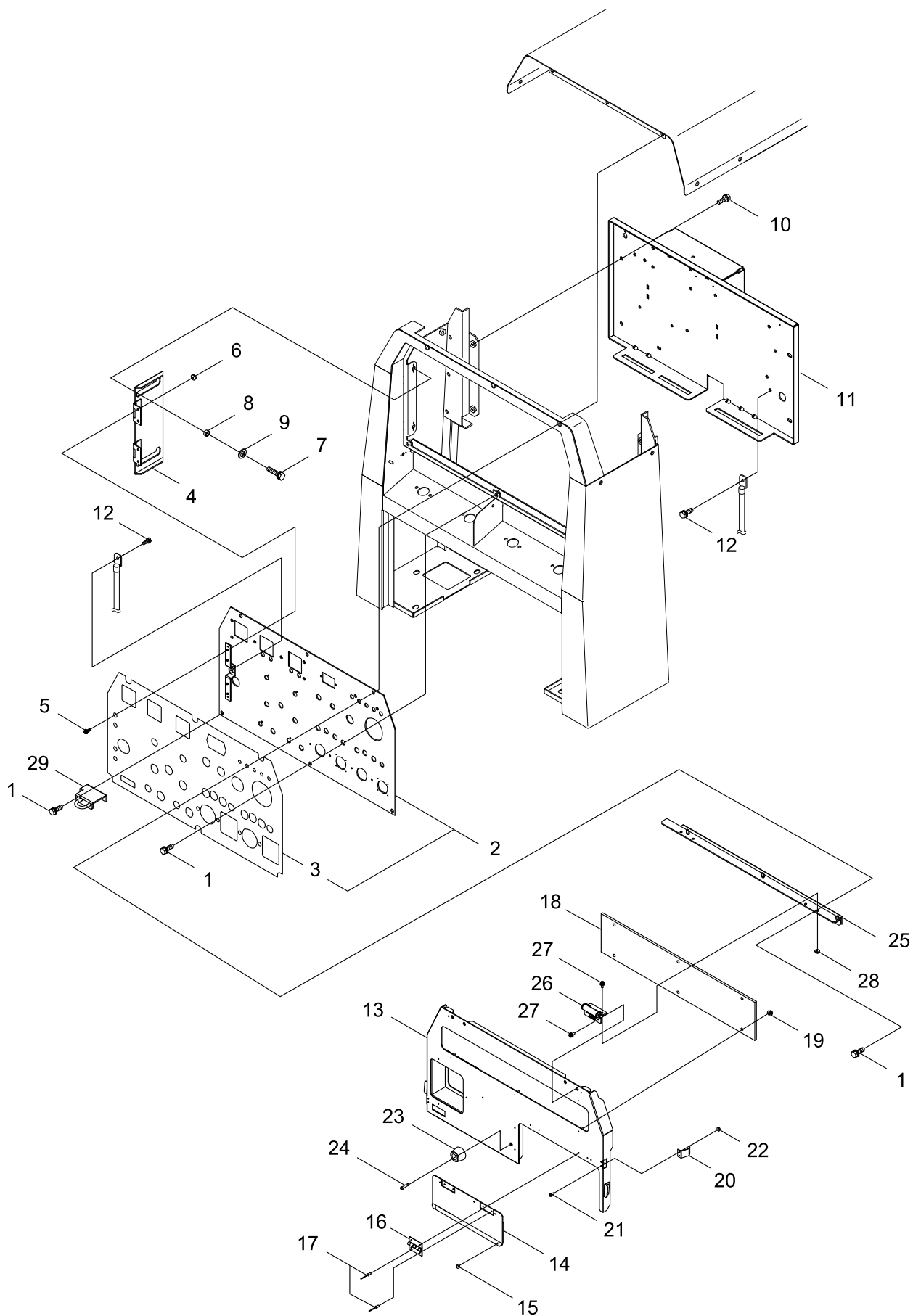
# COVER



## COVER

KEY NO	LV(+)	Part No	Description	Qty	Standard
1		J492-001420	FRONT COVER	1	
2		V205-001170	BOLT,8	10	M8*20-SPW
3		91036-06016	BOLT SW	1	
4		M470-001900	TERMINAL COVER RIGHT	1	
5		M470-001690	COVER	1	
6		91036-06030	BOLT SW	1	
7		V264-000220	FLANGE NUT	1	
8		V420-003170	RUBBER PIPE	2	
9		900602-00008	WASHER 8	4	8.4*17*1.6
10		V420-003160	BUSH RUBBER	2	
11		V375-000480	COLLAR	4	
12		91036-06025	BOLT SW	2	
13		M465-000870	PANEL	1	
14		V204-001600	BOLT,6	38	M6*16
15		J492-001770	BONNET	1	
16		M465-000890	PANEL	1	
17		M470-001490	COVER	1	
18		V264-000220	FLANGE NUT	8	
19		J447-000760	GUARD	1	
20		J447-000770	GUARD	1	
21		J447-000960	GUARD	1	
22		A354-000030	LID,FUEL TANK	1	
23	+	V420-003150	CUSHION	1	
24		C390-000010	TONGUE	1	
25		91564-03010	SCREW SPW	2	
26		V261-000010	FLANGE NUT	2	
27		91564-04012	SCREW SW	4	
28		V262-000190	FLANGE NUT	4	
29		V205-001170	BOLT,8	4	M8*20-SPW

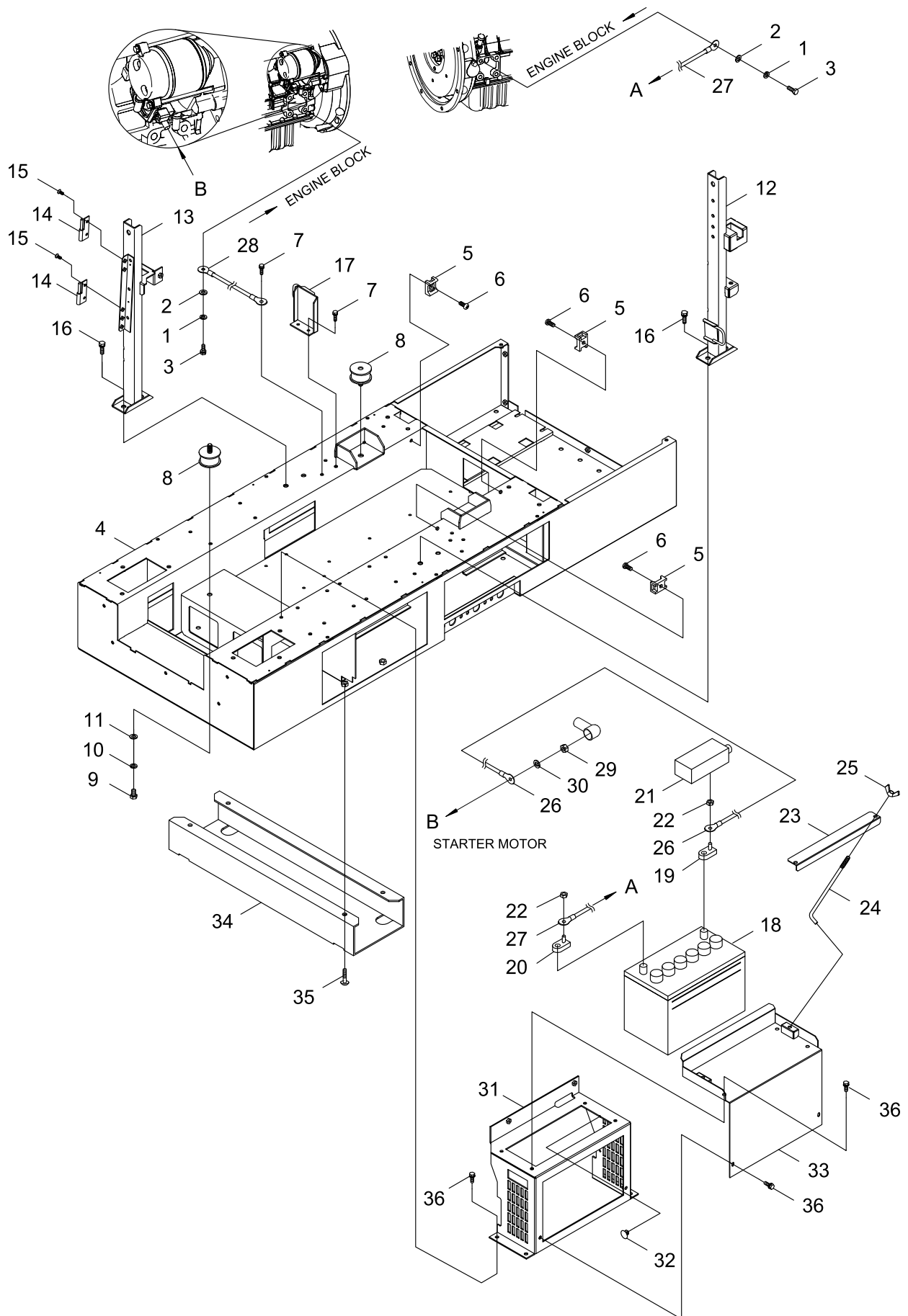
# FRONT PANEL



## FRONT PANEL

KEY NO	LV(+)	Part No	Description	Qty	Standard
1		V204-001610	BOLT,6	6	M6*16SPW(+)
2		C165-000131	PANEL,OPERATION	1	
3	+	X532-004670	LABEL,OPERATION	1	
4		C519-005110	STAY	1	
5		91566-04012	SCREW SPW	4	
6		V262-000190	FLANGE NUT	4	
7		900147-08025	BOLT, 8*25	2	8*25
8		V355-000530	COLLAR	2	
9		900617-00010	WASHER 10	2	10(10.5*18*2)
10		V204-001600	BOLT,6	4	M6*16
11		M465-000770	PANEL	1	
12		91037-05012	BOLT SPW	2	
13		M402-000740	DOOR,FRONT	1	
14		M472-000040	COVER	1	
15		V420-003200	CUSHION	2	
16		J485-000570	HINGE	2	
17		V649-000130	BLIND RIVET	8	
18		J500-000990	PANEL	1	
19		V263-000340	FLANGE NUT	6	
20		C390-000010	TONGUE	2	
21		91564-03010	SCREW SPW	4	
22		V261-000010	FLANGE NUT	4	
23		V420-003070	STAND RUBBER	1	
24		91381-04020	SCREW TAPPING	1	
25		C527-001210	STAY	1	
26		J485-000760	HINGE	2	
27		91037-04010	BOLT	8	+B4*10/W SWZM
28		V262-000190	FLANGE NUT	4	
29		A422-000430	BRACKET,COVER	1	

# BASE, FRAME

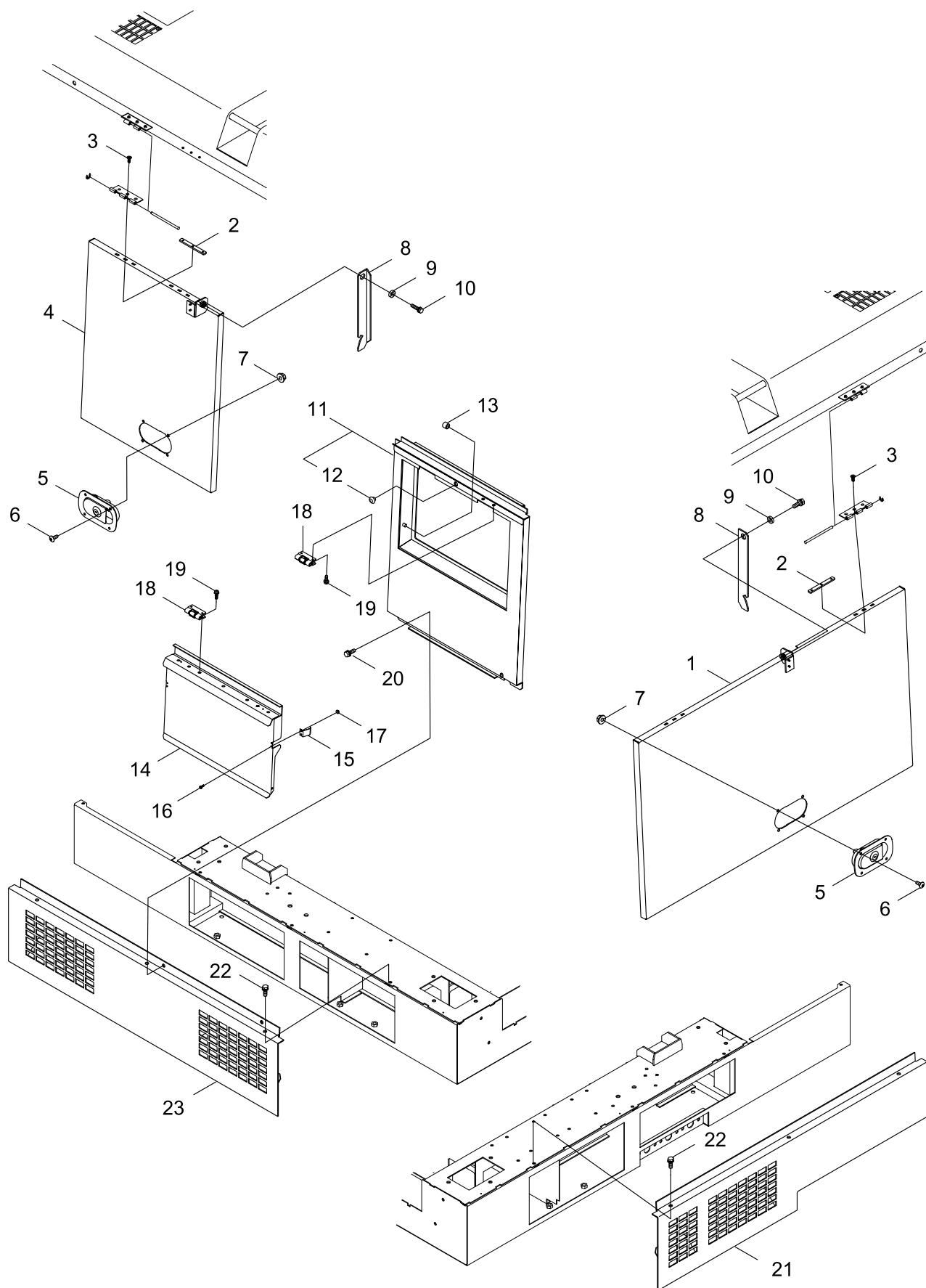


## BASE, FRAME

KEY NO	LV(+)	Part No	Description	Qty	Standard
1		900605-00010	WASHER, SPRING 10	2	10
2		900617-00010	WASHER 10	2	10(10.5*18*2)
3		91010-10016	BOLT	2	
4		J405-001410	BED	1	
5		M416-000020	TIE MOUNT	3	
6		91461-06012	SCREW	3	
7		V204-001600	BOLT,6	13	M6*16
8		V420-003140	AV RUBBER	4	
9		91000-12022	BOLT	2	
10		900605-00012	WASHER, SPRING 12	2	12
11		900617-00012	WASHER 12	2	12(13*21*2.5)
12		J415-000400	STAY,BONNET	1	
13		J415-000410	STAY,BONNET	1	
14		J485-000310	HINGE	2	
15		900212-04010	SCREW 4*10	4	+SF4*10
16		V206-000590	BOLT,10	4	M10*25-SPW
17		V152-003310	PLATE,ANGLE	1	
18		V481-000160	BATTERY 75D31R	1	
19		V486-000240	TERMINAL	1	
20		V486-000290	TERMINAL	1	
21		G305-000030	TERMINAL CAP	1	
22		V265-000310	NUT	2	
23		G303-000360	HOLDER,BATTERY	1	
24		V240-000150	BOLT BATTERY	2	
25		92190-08000	WING NUT	2	
26		M383-000050	LEAD	1	
27		M384-000000	LEAD WIRE	1	
28		M383-000080	LEAD	1	
29		900500-00008	NUT 8	1	8*P1.25
30		900605-00008	WASHER, SPRING 8	1	8
31		G300-000180	BATTERY BED	1	
32		M416-000030	BAND STOPPER	2	
33		C123-000080	BATTERY TRAY	1	
34		C619-000130	BASE	2	
35		91142-10025	SCREW BUTTON	8	
36		V204-001600	BOLT,6	10	M6*16



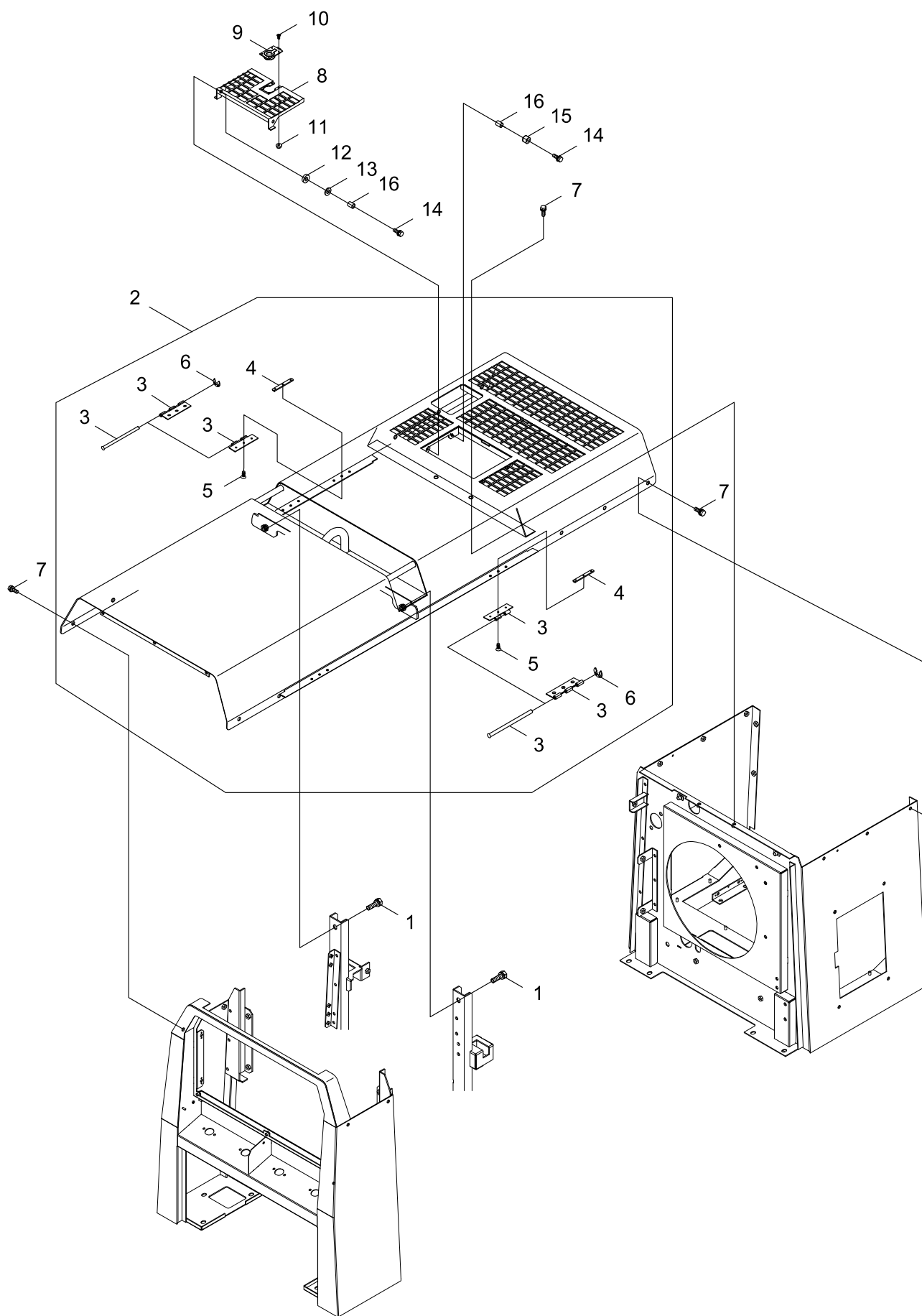
# DOOR



## DOOR

KEY NO	LV(+)	Part No	Description	Qty	Standard
1		M406-001380	DOOR,RIGHT	1	
2		V150-002620	TAPPING PLATE	4	
3		900212-04010	SCREW 4*10	12	+SF4*10
4		M404-000990	DOOR,LEFT	1	
5		C701-000400	LOCK COVER	2	
6		900209-05010	SCREW, 5*10	8	5*10
7		V263-000330	FLANGE NUT	8	
8		G257-000640	STOPPER	2	
9		V375-000460	COLLAR	2	
10		V205-001170	BOLT,8	2	M8*20-SPW
11		M465-000910	PANEL	1	
12	+	V420-003150	CUSHION	1	
13		V420-003170	RUBBER PIPE	2	
14		M470-002110	COVER	1	
15		C390-000010	TONGUE	2	
16		91564-03010	SCREW SPW	4	
17		V261-000010	FLANGE NUT	4	
18		J485-000490	HINGE	2	TM-171-V1
19		91566-04012	SCREW SPW	8	
20		V204-001600	BOLT,6	2	M6*16
21		C603-000450	SIDE PLATE R	1	
22		V204-001610	BOLT,6	6	M6*16SPW(+
23		C603-000460	SIDE PLATE L	1	

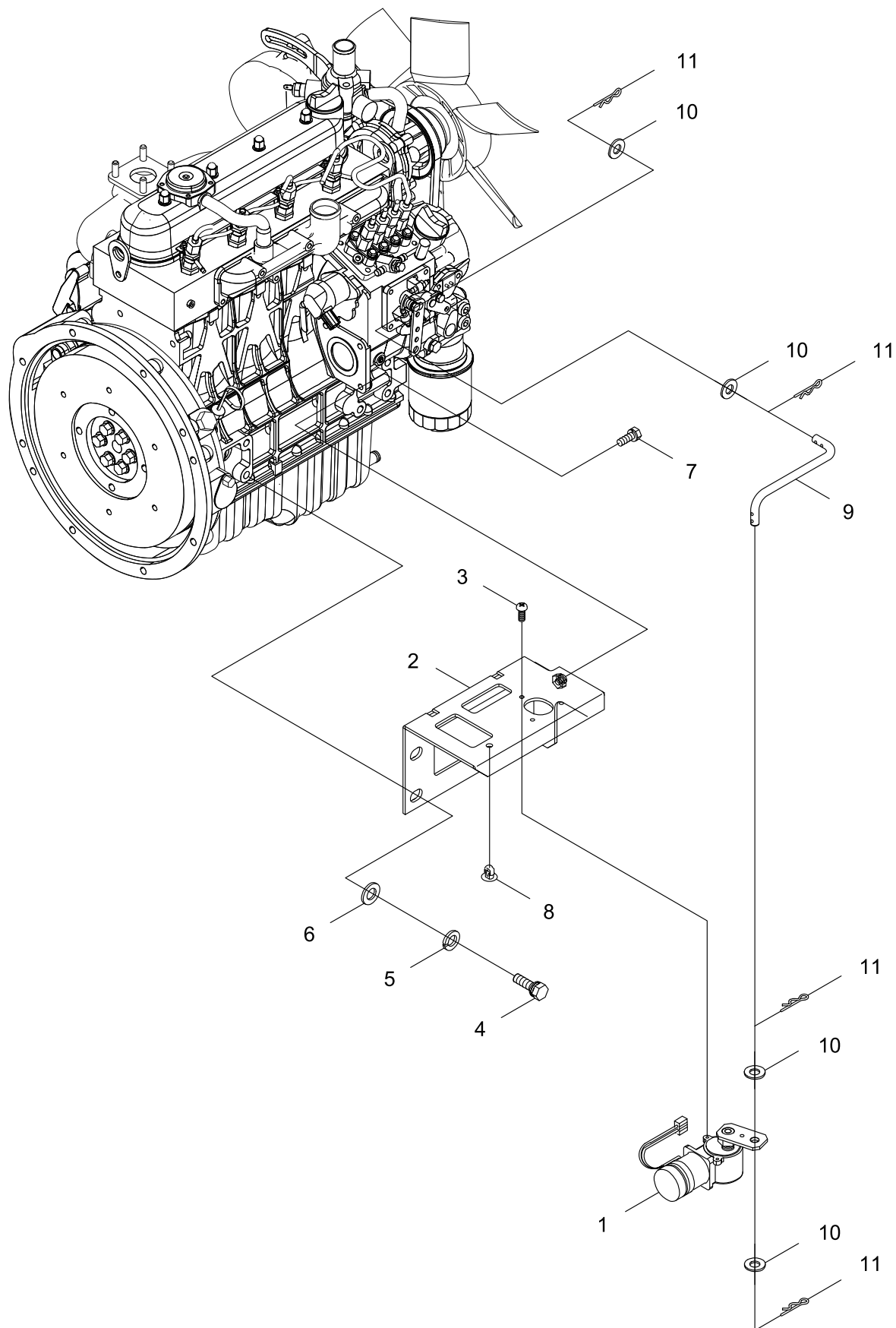
# TOP COVER



## TOP COVER

KEY NO	LV(+)	Part No	Description	Qty	Standard
1		V206-000590	BOLT,10	2	M10*25-SPW
2		J492-001441	BONNET	1	
3	+	J485-000610	HINGE	4	
4	+	V150-002620	TAPPING PLATE	4	
5	+	900212-04010	SCREW 4*10	12	+SF4*10
6	+	900703-00004	E-RING 4 SUS	4	CE-4 SUS
7		V204-001600	BOLT,6	12	M6*16
8		J480-000750	LID,COVER	1	
9		C390-000050	LATCH	1	
10		91308-03012	SCREW	4	
11		V261-000010	FLANGE NUT	4	
12		V420-003160	BUSH RUBBER	2	
13		900602-00008	WASHER 8	2	8.4*17*1.6
14		91036-06025	BOLT SW	4	
15		V420-003170	RUBBER PIPE	2	
16		V375-000480	COLLAR	4	

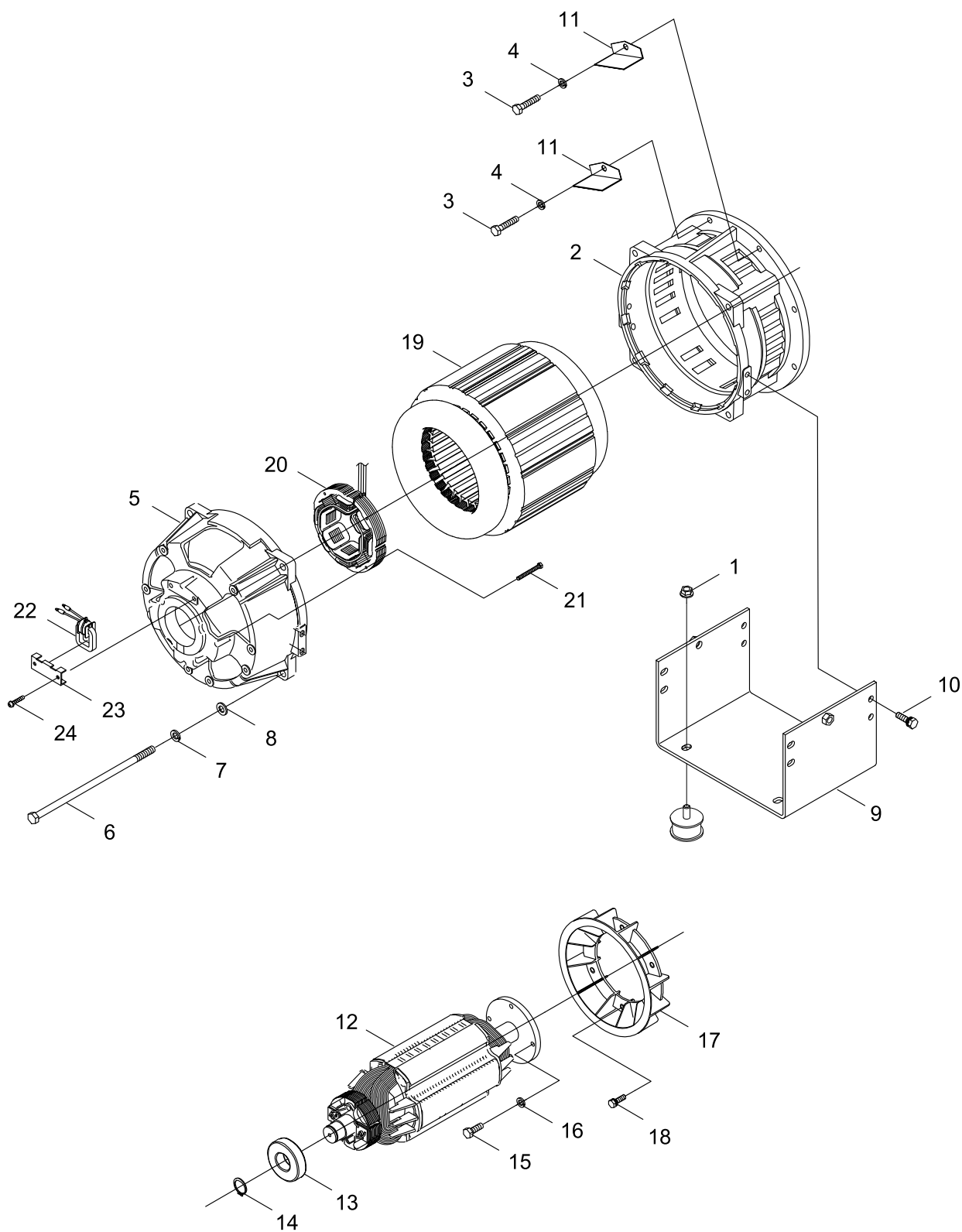
# MOTOR



## MOTOR

KEY NO	LV(+)	Part No	Description	Qty	Standard
1		G280-000160	MOTOR COMP	1	
2		C519-005120	STAY	1	
3		91564-03016	SCREW SW	3	
4		91010-10016	BOLT	2	
5		900605-00010	WASHER, SPRING 10	2	10
6		900617-00010	WASHER 10	2	10(10.5*18*2)
7		91036-06030	BOLT SW	1	
8		M416-000030	BAND STOPPER	1	
9		C454-000420	ROD	1	
10		900602-00008	WASHER 8	4	8.4*17*1.6
11		93003-08000	SNAP PIN	4	

# ROTOR

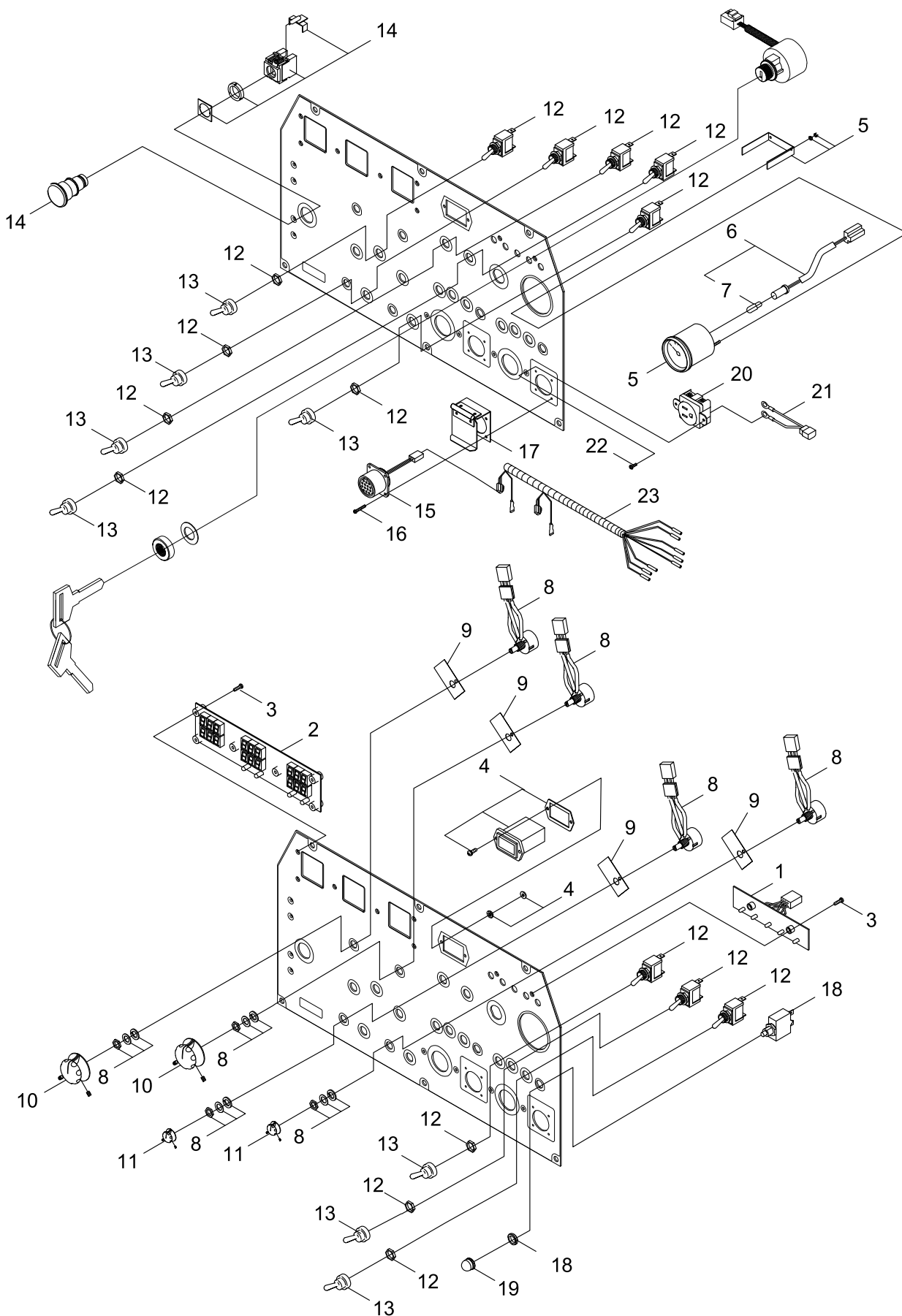


## ROTOR

KEY NO	LV(+)	Part No	Description	Qty	Standard
1		V268-000060	FLANGE NUT	2	
2		M305-000080	FRONT BRACKET	1	
3		91027-10025	BOLT	8	
4		900605-00010	WASHER, SPRING 10	8	10
5		M305-000090	REAR BRACKET	1	
6		V207-000250	BOLT,12	4	
7		900605-00012	WASHER, SPRING 12	4	12
8		900617-00012	WASHER 12	4	12(13*21*2.5)
9		C519-003700	STAY	1	
10		91024-10030	BOLT	8	BM-10*30/W,SW
11		A565-000090	BAFFLE	2	
12		M102-000280	ROTOR	1	
13		V592-000200	BEARING, BALL	1	
14		92423-34000	SNAP RING	1	
15		91014-10030	BOLT	4	B-10*1.25*30 8.8
16		900605-00010	WASHER, SPRING 10	4	10
17		A171-000091	FAN, COOLING	1	
18		900147-08025	BOLT, 8*25	6	8*25
19		M106-000580	STATOR	1	
20		M106-001070	STATOR	1	
21		91024-05040	BOLT	4	
22		M010-000010	CT COMP	1	
23		V150-002660	CORE PLATE	1	
24		91341-06025	SCREW SW	2	



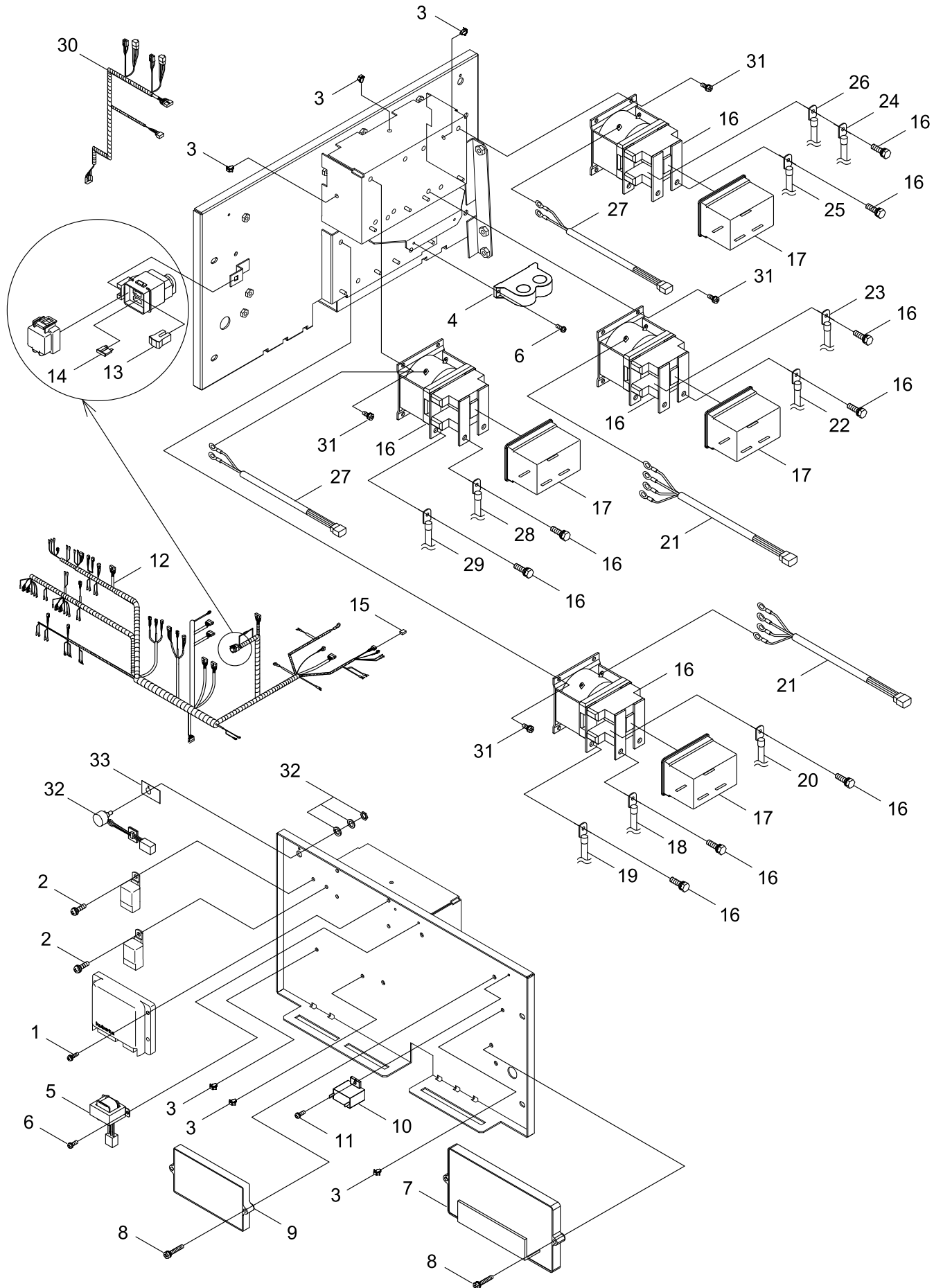
# CONTROL PANEL



## CONTROL PANEL

KEY NO	LV(+)	Part No	Description	Qty	Standard
1		C124-000060	PRINT CIRCUIT	1	
2		C124-000110	PRINTED CIRCUIT	1	
3		91461-04014	SCREW	8	
4		G319-000060	HOUR METER	1	
5		G318-000010	FUEL METER	1	
6		G327-000340	LAMP ASSY	1	
7	+	G327-000330	PILOT LAMP	1	
8		M112-000030	VOLUME COMP	4	
9		M702-000050	INS PAPER	4	
10		E145-000070	DIAL	2	
11		E145-000080	DIAL	2	
12		A045-000510	TOGGLE SWITCH	13	
13		V494-000910	CAP	13	
14		G334-000870	SWITCH	1	
15		C154-000350	RECEPTACLE	2	
16		91491-03012	SCREW TAPPING	8	
17		M470-000540	REMOTE CONTROL COVER	2	
18		C137-000410	PROTECTOR,CIRCUIT	2	
19		V494-000430	CAP	2	
20		C154-000460	SOCKET	2	
21		G362-000330	WIRING HARNESS	2	
22		900283-04008	SCREW 4*8	4	4*8
23		G362-000280	WIRING HARNESS	1	

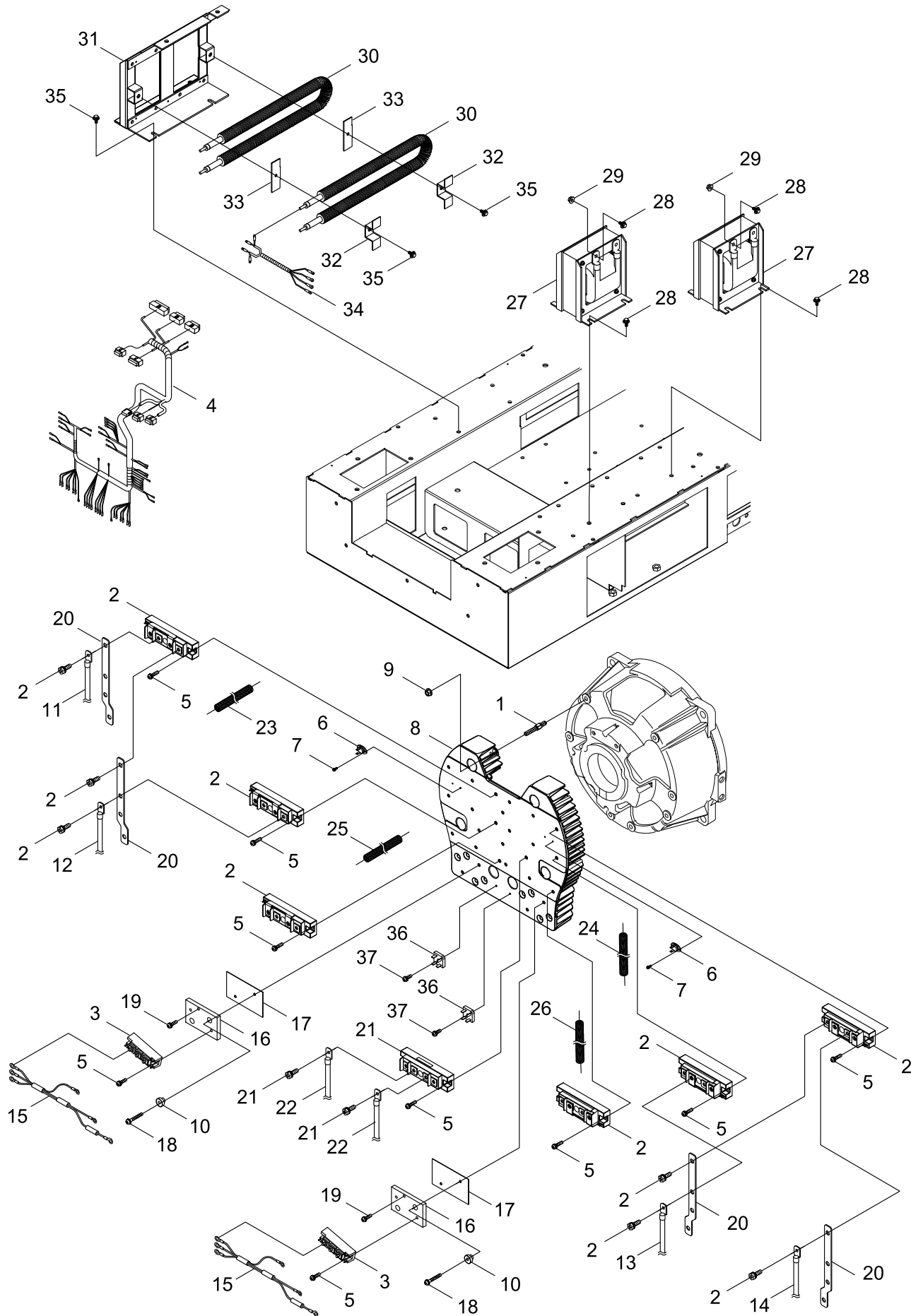
# ELECTRICAL EQUIPMENT, HARNESS



## ELECTRICAL EQUIPMENT, HARNESS

KEY NO	LV(+)	Part No	Description	Qty	Standard
1		91564-05020	SCREW SW	4	
2		91564-05016	SCREW SW	2	
3		M416-000070	STOPPER,BAND	6	
4		M108-000060	CT	1	
5		C163-000010	TRANSFORMER COMP	1	
6		91397-04012	SCREW TAPPING	5	
7		G370-001230	UNIT,CONTROL	1	
8		91036-05025	BOLT SW	4	
9		G370-000770	PRINTED CIRCUIT	1	
10		A403-000350	CONDENSER	1	EEC2D106HZA405
11		91397-04012	SCREW TAPPING	1	
12		G031-002632	HARNESS,WIRE	1	
13	+	G350-000380	FUSE	1	
14	+	G350-000400	FUSE	1	
15		C152-000480	CONNECTOR	1	
16		G334-000850	MAGNET SWITCH	4	
17		J139-000180	DUST COVER	4	
18		M383-000120	LEAD	1	
19		M383-000130	LEAD	1	
20		M383-000140	LEAD	1	
21		G362-000290	WIRING HARNESS	2	
22		M383-000150	LEAD	1	
23		M383-000160	LEAD	1	
24		M383-000170	LEAD	1	
25		M383-000180	LEAD	1	
26		M383-000190	LEAD	1	
27		G360-000750	WIRING HARNESS	2	
28		M383-000200	LEAD	1	
29		M383-000230	LEAD	1	
30		G362-000300	WIRING HARNESS	1	
31		91037-05012	BOLT SPW	12	
32		M112-000030	VOLUME COMP	1	
33		M702-000050	INS PAPER	1	

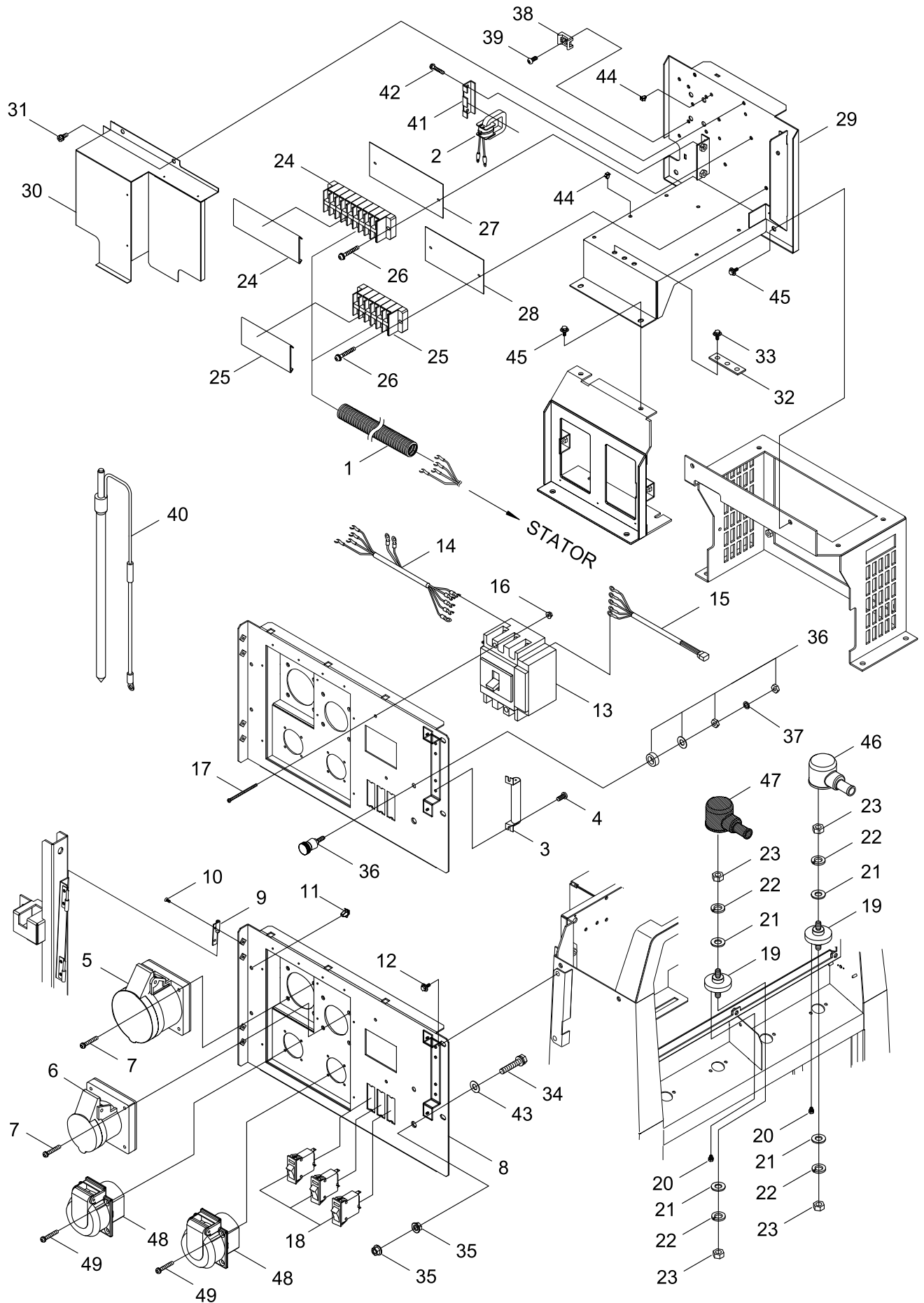
FIN



## FIN

KEY NO	LV(+)	Part No	Description	Qty	Standard
1		V224-000060	STUD BOLT	6	
2		M101-000060	THYRISTOR	6	
3		M101-000000	THYRISTOR	2	
4		G362-000241	HARNESS,WIRE	1	
5		91564-06020	SCREW SW	25	
6		M100-000010	THERMOSTAT	2	
7		91461-03006	SCREW	4	
8		M615-000040	STACK FIN	1	
9		V264-000400	NUT,6	6	M6
10		V376-001460	INS RING	4	
11		M383-000090	LEAD	1	
12		M383-000210	LEAD	1	
13		M383-000100	LEAD	1	
14		M383-000110	LEAD	1	
15		G362-000250	WIRING HARNESS	2	
16		A471-000410	STACK PLATE	2	
17		C557-000230	SHEET	2	
18		91564-06025	SCREW SW	4	
19		91564-06012	SCREW SW	2	
20		V150-002780	BUS BAR	4	
21		M105-000130	RECTIFIER	1	
22		M383-000220	LEAD	2	
23		V475-006290	TUBE	1	
24		V475-006250	TUBE	1	
25		V475-006260	TUBE	1	
26		V475-006130	TUBE	1	
27		M116-000040	REACTOR	2	
28		V204-001600	BOLT,6	12	M6*16
29		V264-000220	FLANGE NUT	4	
30		M110-000090	RESISTOR	2	
31		C519-005130	STAY	1	
32		V150-003230	PLATE,EYE	2	
33		V150-003150	PLATE,EYE	2	
34		G362-000260	WIRING HARNESS	1	
35		V204-001600	BOLT,6	6	M6*16
36		M105-000000	RECTIFIER	2	
37		91564-04020	SCREW SPW	2	

# OUTPUT TERMINAL

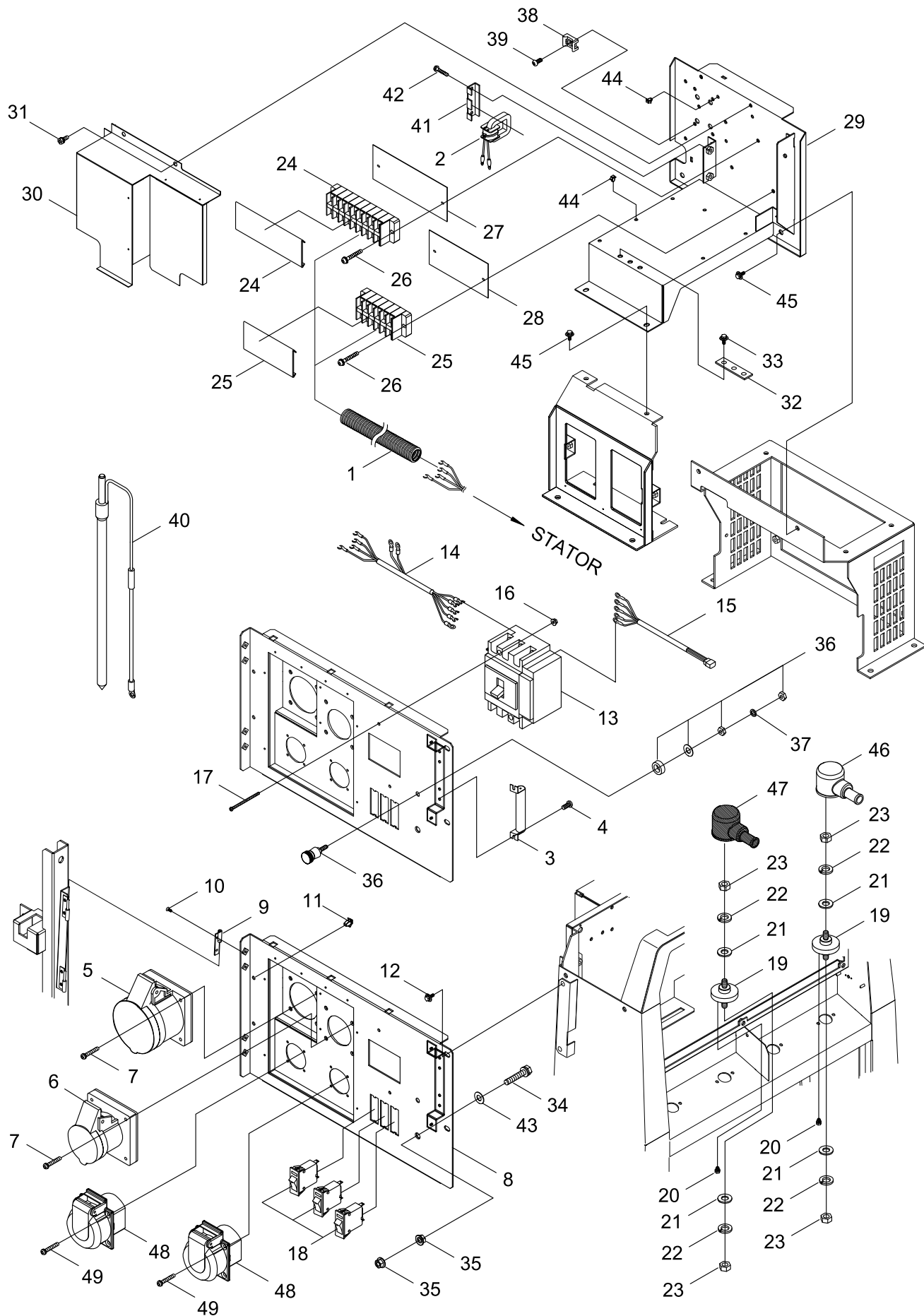


## OUTPUT TERMINAL

KEY NO	LV(+)	Part No	Description	Qty	Standard
1		V475-005710	TUBE	1	
2		M010-000000	CT	1	
3		M110-000220	RESISTOR COMP	1	
4		91397-04012	SCREW TAPPING	2	
5		C154-000280	SOCKET	1	
6		C154-000290	SOCKET	1	
7		V252-000540	SCREW TAPPING	8	
8		J420-000370	PLATE,ELECTRIC	1	
9		J485-000330	HINGE	2	
10		900212-04010	SCREW 4*10	4	+SF4*10
11		M416-000070	STOPPER,BAND	2	
12		V204-001600	BOLT,6	2	M6*16
13		M111-000820	BREAKER	1	
14		G363-000340	HARNESS,WIRE	1	
15		G360-001030	WIRING HARNESS	1	
16		V262-000200	FLANGE NUT	2	
17		91461-04070	SCREW	2	
18		C137-000140	CIRCUIT PROTECTOR	3	
19		M603-000010	TERMINAL REST	4	
20		91031-05008	BOLT SW	8	
21		92227-12000	WASHER	8	
22		92237-12000	WASHER SPRING	8	SW-12
23		92005-12000	NUT	8	
24		M308-000410	BLOCK,TERMINAL	1	
25		M308-000420	BLOCK,TERMINAL	1	
26		91564-05025	SCREW SPW	4	
27		C557-000240	SHEET	1	
28		C557-000250	SHEET	1	
29		C519-005160	STAY	1	
30		J447-000270	TERMINAL GUARD	1	
31		91037-05012	BOLT SPW	4	
32		V150-003140	PLATE,EYE	1	
33		91036-06016	BOLT SW	3	
34		91034-08040	BOLT SW	1	
35		V265-000450	NUT,8	2	
36		V488-000020	TERMINAL POST	1	
37		900605-00004	WASHER, SPRING 4	1	4
38		M416-000010	TIE MOUNT	1	
39		91343-05012	SCREW	1	
40		M310-000050	EARTH ROD	1	
41		V150-002660	CORE PLATE	1	
42		91341-06025	SCREW SW	2	
43		900602-00008	WASHER 8	1	8.4*17*1.6
44		M416-000070	STOPPER,BAND	9	
45		V204-001600	BOLT,6	4	M6*16
46		G305-000170	CAP,TERMINAL	2	
47		G305-000180	CAP,TERMINAL	2	



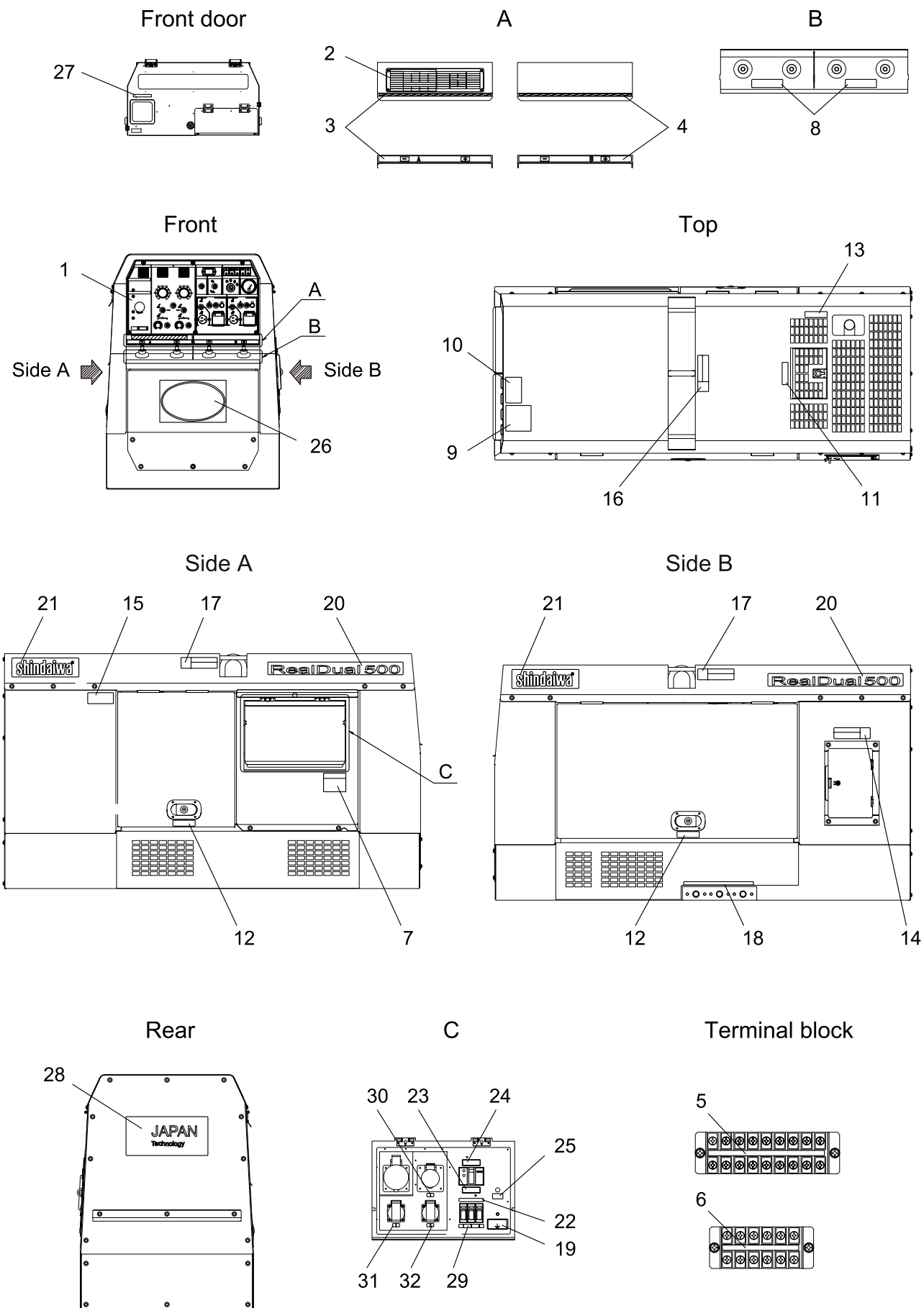
# OUTPUT TERMINAL



## OUTPUT TERMINAL

KEY NO	LV(+)	Part No	Description	Qty	Standard
48		C159-000280	RECEPTACLE	2	
49		91493-04012	SCREW	8	

LABEL



## LABEL

KEY NO	LV(+)	Part No	Description	Qty	Standard
1		X532-004670	LABEL,OPERATION	1	
2		X533-001500	LABEL,SPEC	1	
3		M707-000540	LABEL,INST	1	溶接出力A側
4		M707-000550	LABEL,INST	1	溶接出力B側
5		M704-002390	LABEL,INST	1	
6		M704-002400	LABEL,INST	1	
7		X505-007250	LABEL,CAUTION	1	漏電リレー取扱
8		X505-008940	LABEL,CAUTION	2	
9		X505-008950	LABEL,CAUTION	1	
10		X505-008960	LABEL,CAUTION	1	
11		X505-008970	LABEL,CAUTION	1	
12		X505-008980	LABEL,CAUTION	2	
13		X505-008990	LABEL,CAUTION	1	
14		X505-009000	LABEL,CAUTION	1	
15		X505-009010	LABEL,CAUTION	1	
16		X505-009020	LABEL,CAUTION	1	
17		X505-009030	LABEL,CAUTION	2	
18		M707-000510	LABEL,INST	1	燃料オイル水トレ
19		M707-000460	LABEL,INST	1	アース端子
20		M705-001030	LABEL,FEATURE	2	REALDUAL 500
21		X504-006550	LABEL,BRAND	2	
22		M707-000680	LABEL,INST	1	
23		M707-000520	LABEL,INST	1	ELCB
24		M707-000690	LABEL,INST	1	
25		M707-000480	LABEL,INST	1	漏電接地端子
26		M705-001010	LABEL,FEATURE	1	REALDUAL
27		M707-001080	LABEL,INST	1	
28		M705-000980	LABEL,FEATURE	1	JAPAN TECHNOLOGY
29		M707-001070	LABEL,INST	1	
30		M707-001090	LABEL,INST	1	
31		M707-001100	LABEL,INST	1	
32		M707-001110	LABEL,INST	1	

# NUMERICAL PARTS INDEX

Part No	Part description	Page	Part No	Part description	Page	Part No	Part description	Page
900147-08025	BOLT, 8*25	8	91036-06025	BOLT SW	18	A354-000030	LID,FUEL TANK	10
900147-08025	BOLT, 8*25	12	91036-06030	BOLT SW	10	A403-000350	CONDENSER	26
900147-08025	BOLT, 8*25	22	91036-06030	BOLT SW	20	A422-000430	BRACKET,COVER	12
900147-08030	BOLT, 8*30	2	91037-04010	BOLT	12	A471-000410	STACK PLATE	28
900209-05010	SCREW, 5*10	16	91037-05012	BOLT SPW	12	A565-000090	BAFFLE	22
900212-04010	SCREW 4*10	14	91037-05012	BOLT SPW	26	C123-000080	BATTERY TRAY	14
900212-04010	SCREW 4*10	16	91037-05012	BOLT SPW	30	C124-000060	PRINT CIRCUIT	24
900212-04010	SCREW 4*10	18	91142-10025	SCREW BUTTON	14	C124-000110	PRINTED CIRCUIT	24
900212-04010	SCREW 4*10	30	91308-03012	SCREW	18	C137-000140	CIRCUIT PROTECTOR	30
900283-04008	SCREW 4*8	24	91341-06025	SCREW SW	22	C137-000410	PROTECTOR,CIRCUIT	24
900500-00008	NUT 8	14	91341-06025	SCREW SW	30	C152-000480	CONNECTOR	26
900602-00008	WASHER 8	10	91343-05012	SCREW	30	C154-000280	SOCKET	30
900602-00008	WASHER 8	18	91381-04020	SCREW TAPPING	12	C154-000290	SOCKET	30
900602-00008	WASHER 8	20	91397-04012	SCREW TAPPING	26	C154-000350	RECEPTACLE	24
900602-00008	WASHER 8	30	91397-04012	SCREW TAPPING	30	C154-000460	SOCKET	24
900605-00004	WASHER, SPRING 4	30	91461-03006	SCREW	28	C159-000280	RECEPTACLE	32
900605-00008	WASHER, SPRING 8	14	91461-04014	SCREW	24	C163-000010	TRANSFORMER COMP	26
900605-00010	WASHER, SPRING 10	4	91461-04070	SCREW	30	C165-000131	PANEL,OPERATION	12
900605-00010	WASHER, SPRING 10	14	91461-06012	SCREW	14	C390-000010	TONGUE	10
900605-00010	WASHER, SPRING 10	20	91463-05012	SCREW TRUSS	6	C390-000010	TONGUE	12
900605-00010	WASHER, SPRING 10	22	91491-03012	SCREW TAPPING	24	C390-000010	TONGUE	16
900605-00012	WASHER, SPRING 12	4	91493-04012	SCREW	32	C390-000050	LATCH	18
900605-00012	WASHER, SPRING 12	14	91564-03010	SCREW SPW	10	C454-000420	ROD	20
900605-00012	WASHER, SPRING 12	22	91564-03010	SCREW SPW	12	C519-003110	RADIATOR STAY	2
900617-00010	WASHER 10	4	91564-03010	SCREW SPW	16	C519-003700	STAY	22
900617-00010	WASHER 10	12	91564-03016	SCREW SW	20	C519-005110	STAY	12
900617-00010	WASHER 10	14	91564-04012	SCREW SW	10	C519-005120	STAY	20
900617-00010	WASHER 10	20	91564-04020	SCREW SPW	28	C519-005130	STAY	28
900617-00012	WASHER 12	14	91564-05016	SCREW SW	26	C519-005160	STAY	30
900617-00012	WASHER 12	22	91564-05020	SCREW SW	26	C527-001210	STAY	12
900703-00004	E-RING 4 SUS	18	91564-05025	SCREW SPW	30	C557-000230	SHEET	28
91000-12022	BOLT	4	91564-06012	SCREW SW	28	C557-000240	SHEET	30
91000-12022	BOLT	14	91564-06020	SCREW SW	28	C557-000250	SHEET	30
91010-10016	BOLT	14	91564-06025	SCREW SW	28	C603-000450	SIDE PLATE R	16
91010-10016	BOLT	20	91566-04012	SCREW SPW	12	C603-000460	SIDE PLATE L	16
91014-10030	BOLT	22	91566-04012	SCREW SPW	16	C619-000130	BASE	14
91024-05040	BOLT	22	92005-12000	NUT	30	C701-000400	LOCK COVER	16
91024-10030	BOLT	22	92190-08000	WING NUT	14	E111-000110	TANK CAP	6
91027-10025	BOLT	22	92227-12000	WASHER	30	E121-000060	BAND,TANK	6
91031-05008	BOLT SW	30	92237-12000	WASHER SPRING	30	E145-000070	DIAL	24
91034-08040	BOLT SW	30	92423-34000	SNAP RING	22	E145-000080	DIAL	24
91036-05025	BOLT SW	26	93003-08000	SNAP PIN	20	E325-000100	FUEL GUAGE	6
91036-06016	BOLT SW	10	A045-000510	TOGGLE SWITCH	24	E617-000080	BRACKET,FILTER	8
91036-06016	BOLT SW	30	A171-000091	FAN, COOLING	22	G031-002632	HARNES,WIRE	26
91036-06025	BOLT SW	10	A300-001680	MUFFLER,EXHAUST	4	G121-000430	STAY,ENGINE	4

## NUMERICAL PARTS INDEX

Part No	Part description	Page	Part No	Part description	Page	Part No	Part description	Page
G211-000300	STAY,CLEANER	4	J485-000570	HINGE	12	M383-000220	LEAD	28
G231-000680	FLEXIBLE TUBE	4	J485-000610	HINGE	18	M383-000230	LEAD	26
G234-000060	TAIL PIPE	4	J485-000760	HINGE	12	M384-000000	LEAD WIRE	14
G250-000450	FUEL TANK	6	J492-001420	FRONT COVER	10	M402-000740	DOOR,FRONT	12
G257-000640	STOPPER	16	J492-001441	BONNET	18	M404-000990	DOOR,LEFT	16
G280-000160	MOTOR COMP	20	J492-001770	BONNET	10	M406-001380	DOOR,RIGHT	16
G300-000180	BATTERY BED	14	J500-000990	PANEL	12	M416-000010	TIE MOUNT	30
G303-000360	HOLDER,BATTERY	14	K329-000040	STRAINER	6	M416-000020	TIE MOUNT	14
G305-000030	TERMINAL CAP	14	M010-000000	CT	30	M416-000030	BAND STOPPER	8
G305-000170	CAP,TERMINAL	30	M010-000010	CT COMP	22	M416-000030	BAND STOPPER	14
G305-000180	CAP,TERMINAL	30	M100-000010	THERMOSTAT	28	M416-000030	BAND STOPPER	20
G318-000010	FUEL METER	24	M101-000000	THYRISTOR	28	M416-000070	STOPPER,BAND	26
G319-000060	HOUR METER	24	M101-000060	THYRISTOR	28	M416-000070	STOPPER,BAND	30
G327-000330	PILOT LAMP	24	M102-000280	ROTOR	22	M465-000770	PANEL	12
G327-000340	LAMP ASSY	24	M105-000000	RECTIFIER	28	M465-000870	PANEL	10
G334-000850	MAGNET SWITCH	26	M105-000130	RECTIFIER	28	M465-000890	PANEL	10
G334-000870	SWITCH	24	M106-000580	STATOR	22	M465-000910	PANEL	16
G350-000380	FUSE	26	M106-001070	STATOR	22	M470-000540	REMOTE CONTROL COVER	24
G350-000400	FUSE	26	M108-000060	CT	26	M470-001490	COVER	10
G360-000750	WIRING HARNESS	26	M110-000090	RESISTOR	28	M470-001690	COVER	10
G360-001030	WIRING HARNESS	30	M110-000220	RESISTOR COMP	30	M470-001900	TERMINAL COVER RIGHT	10
G362-000241	HARNESS,WIRE	28	M111-000820	BREAKER	30	M470-002110	COVER	16
G362-000250	WIRING HARNESS	28	M112-000030	VOLUME COMP	24	M472-000040	COVER	12
G362-000260	WIRING HARNESS	28	M112-000030	VOLUME COMP	26	M601-000170	JOINT	2
G362-000270	WIRING HARNESS	2	M116-000040	REACTOR	28	M603-000010	TERMINAL REST	30
G362-000280	WIRING HARNESS	24	M305-000080	FRONT BRACKET	22	M615-000040	STACK FIN	28
G362-000290	WIRING HARNESS	26	M305-000090	REAR BRACKET	22	M702-000050	INS PAPER	24
G362-000300	WIRING HARNESS	26	M308-000410	BLOCK,TERMINAL	30	M702-000050	INS PAPER	26
G362-000330	WIRING HARNESS	24	M308-000420	BLOCK,TERMINAL	30	M704-002390	LABEL,INST	34
G363-000340	HARNESS,WIRE	30	M310-000050	EARTH ROD	30	M704-002400	LABEL,INST	34
G370-000770	PRINTED CIRCUIT	26	M383-000050	LEAD	14	M705-000980	LABEL,FEATURE	34
G370-001230	UNIT,CONTROL	26	M383-000080	LEAD	14	M705-001010	LABEL,FEATURE	34
J139-000180	DUST COVER	26	M383-000090	LEAD	28	M705-001030	LABEL,FEATURE	34
J405-001410	BED	14	M383-000100	LEAD	28	M707-000460	LABEL,INST	34
J415-000400	STAY,BONNET	14	M383-000110	LEAD	28	M707-000480	LABEL,INST	34
J415-000410	STAY,BONNET	14	M383-000120	LEAD	26	M707-000510	LABEL,INST	34
J420-000370	PLATE,ELECTRIC	30	M383-000130	LEAD	26	M707-000520	LABEL,INST	34
J447-000270	TERMINAL GUARD	30	M383-000140	LEAD	26	M707-000540	LABEL,INST	34
J447-000760	GUARD	10	M383-000150	LEAD	26	M707-000550	LABEL,INST	34
J447-000770	GUARD	10	M383-000160	LEAD	26	M707-000680	LABEL,INST	34
J447-000960	GUARD	10	M383-000170	LEAD	26	M707-000690	LABEL,INST	34
J480-000750	LID,COVER	18	M383-000180	LEAD	26	M707-001070	LABEL,INST	34
J485-000310	HINGE	14	M383-000190	LEAD	26	M707-001080	LABEL,INST	34
J485-000330	HINGE	30	M383-000200	LEAD	26	M707-001090	LABEL,INST	34
J485-000490	HINGE	16	M383-000210	LEAD	28			

# NUMERICAL PARTS INDEX

Part No	Part description	Page	Part No	Part description	Page	Part No	Part description	Page
M707-001100	LABEL,INST	34	V263-000330	FLANGE NUT	16	V494-000430	CAP	24
M707-001110	LABEL,INST	34	V263-000340	FLANGE NUT	12	V494-000910	CAP	24
V104-001740	GASKET	4	V264-000220	FLANGE NUT	2	V495-002100	CLAMP	4
V145-000320	TANK BUSH	6	V264-000220	FLANGE NUT	10	V500-000020	SEAL WASHER	6
V150-002620	TAPPING PLATE	16	V264-000220	FLANGE NUT	28	V592-000200	BEARING, BALL	22
V150-002620	TAPPING PLATE	18	V264-000400	NUT,6	28	V649-000130	BLIND RIVET	12
V150-002660	CORE PLATE	22	V265-000290	FLANGE NUT	4	X504-006550	LABEL,BRAND	34
V150-002660	CORE PLATE	30	V265-000290	FLANGE NUT	6	X505-007250	LABEL,CAUTION	34
V150-002780	BUS BAR	28	V265-000310	NUT	14	X505-008940	LABEL,CAUTION	34
V150-003140	PLATE,EYE	30	V265-000450	NUT,8	30	X505-008950	LABEL,CAUTION	34
V150-003150	PLATE,EYE	28	V268-000060	FLANGE NUT	22	X505-008960	LABEL,CAUTION	34
V150-003230	PLATE,EYE	28	V355-000530	COLLAR	12	X505-008970	LABEL,CAUTION	34
V152-003310	PLATE,ANGLE	14	V375-000460	COLLAR	16	X505-008980	LABEL,CAUTION	34
V204-001600	BOLT,6	2	V375-000480	COLLAR	10	X505-008990	LABEL,CAUTION	34
V204-001600	BOLT,6	6	V375-000480	COLLAR	18	X505-009000	LABEL,CAUTION	34
V204-001600	BOLT,6	8	V376-001460	INS RING	28	X505-009010	LABEL,CAUTION	34
V204-001600	BOLT,6	10	V418-000040	SPONGE	2	X505-009020	LABEL,CAUTION	34
V204-001600	BOLT,6	12	V420-003030	PAD	6	X505-009030	LABEL,CAUTION	34
V204-001600	BOLT,6	14	V420-003070	STAND RUBBER	12	X532-004670	LABEL,OPERATION	12
V204-001600	BOLT,6	16	V420-003140	AV RUBBER	14	X532-004670	LABEL,OPERATION	34
V204-001600	BOLT,6	18	V420-003150	CUSHION	10	X533-001500	LABEL,SPEC	34
V204-001600	BOLT,6	28	V420-003150	CUSHION	16			
V204-001600	BOLT,6	30	V420-003160	BUSH RUBBER	10			
V204-001610	BOLT,6	12	V420-003160	BUSH RUBBER	18			
V204-001610	BOLT,6	16	V420-003170	RUBBER PIPE	10			
V205-000630	BOLT	6	V420-003170	RUBBER PIPE	16			
V205-001120	BOLT,8	2	V420-003170	RUBBER PIPE	18			
V205-001120	BOLT,8	8	V420-003200	CUSHION	12			
V205-001170	BOLT,8	4	V475-005710	TUBE	30			
V205-001170	BOLT,8	10	V475-006130	TUBE	2			
V205-001170	BOLT,8	16	V475-006130	TUBE	28			
V206-000480	BOLT	4	V475-006230	TUBE	8			
V206-000590	BOLT,10	14	V475-006240	TUBE	8			
V206-000590	BOLT,10	18	V475-006250	TUBE	28			
V207-000250	BOLT,12	22	V475-006260	TUBE	28			
V224-000060	STUD BOLT	28	V475-006290	TUBE	28			
V240-000150	BOLT BATTERY	14	V476-000210	TUBE	8			
V252-000540	SCREW TAPPING	30	V476-000270	TUBE	2			
V261-000010	FLANGE NUT	10	V476-000270	TUBE	8			
V261-000010	FLANGE NUT	12	V476-000280	TUBE	8			
V261-000010	FLANGE NUT	16	V476-000290	TUBE	2			
V261-000010	FLANGE NUT	18	V481-000160	BATTERY 75D31R	14			
V262-000190	FLANGE NUT	10	V486-000240	TERMINAL	14			
V262-000190	FLANGE NUT	12	V486-000290	TERMINAL	14			
V262-000200	FLANGE NUT	30	V488-000020	TERMINAL POST	30			